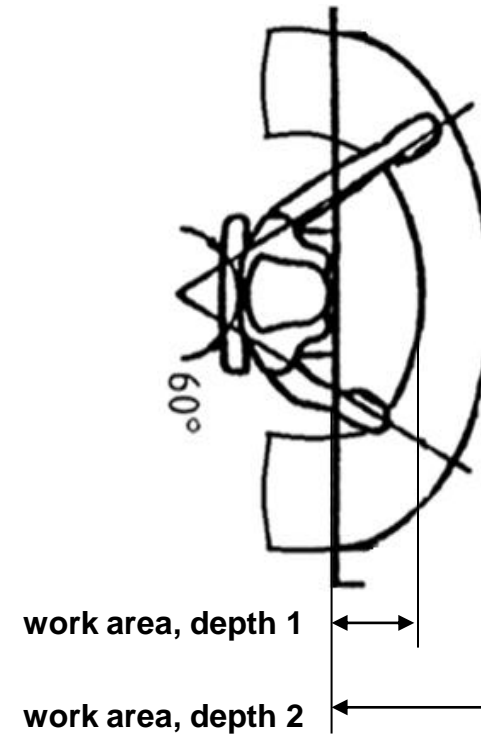
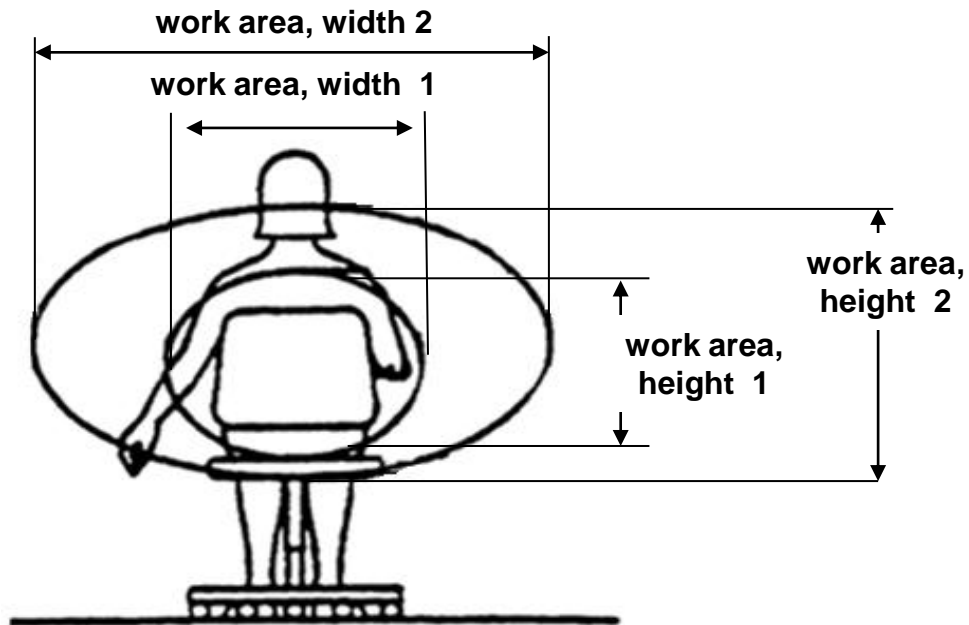


# Operating distances



› All dimensions in [mm]



- › For work places with permanent change between men and women, the dimensions for women have to be selected for work place design.

	Europe	Germany		Korea	
	M/F	M	F	M	F
Work area, width 1	480	571	519	538	485
Work area, width 2	1167	1227	1202	1216	1188
Work area, height 1	505	570	540	552	516
Work area, height 2	730	790	755	1120	751
Work area, depth 1	170	201	147	179	154
Work area, depth 2	415	495	435	431	422



## General Information:

- › The dimensions represent the maximum operating distances which can be realized without subsidiary movement of shoulder and without completely stretched arms.
- › The small work areas (height 1, depth 1, width 1) are recommended for work in sitting position with work tasks requiring precise fine motor skills.
- › The large work areas (height 2, depth 2, width 2) are recommended for work in standing position (work tasks requiring major physical strength within a large sphere of action)
- › In sitting work position the boundary areas of the large work area (area outside of the small work area) are predominantly used for deposition of tools or for displays and actuators with minor frequency of use.
- › Dimensions with supplement for movement of feet  
(DIN EN ISO 14738: 2009-07)  
(DIN CEN ISO/TR 7250-2)